

Gas



up to
6Star*

AquaMAX[®]
Water Heaters



“Energy efficient
continuous flow hot water
on demand”



***6.0 STAR**



***5.9 STAR**

AQUAMAX CONTINUOUS FLOW GAS WATER HEATERS

AquaMAX Continuous Flow gas water heaters are a great option when you need compact energy efficient water heating.

AquaMAX Continuous Flow Gas Water Heaters

AquaMAX Continuous Flow gas water heaters offer a continuous hot water supply for your home.

Conveniently mounted to an external wall or recessed in a box¹, AquaMAX Continuous Flow gas water heaters are created for tight spots where installation space is at a premium².

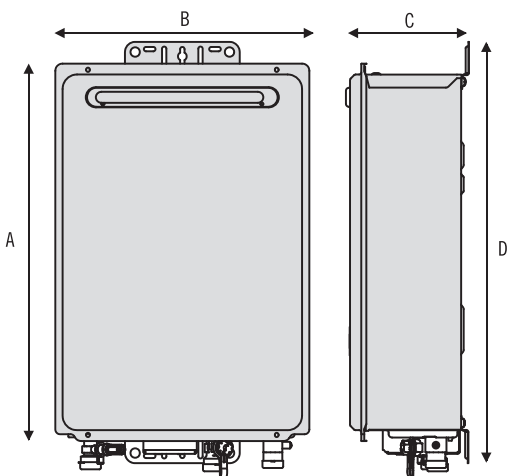
YOU CAN RELY ON AquaMAX

AquaMAX continues to provide energy efficient products that make better use of our precious resources. Our understanding of Australian conditions and Australian demands allows us to offer water heater options suited to local needs. Backed by a 10 year heat exchanger warranty³, these 5 and 6 star energy efficient water heaters will keep your family in hot water.

As an installation option, AquaMAX Continuous Flow gas water heaters may be installed with one or more user adjustable temperature controllers. This gives you the flexibility to choose the most suitable temperature for your hot water needs.⁴



AquaMAX Continuous Flow Gas Water Heaters



FOR EXTERNAL INSTALLATION ONLY

Specifications

	AquaMAX 20	AquaMAX 26
Number of Bathrooms	1.5-2	2-2.5
Gas Type	Natural/LPG	Natural/LPG
Gas Energy Rating	6.0 Stars	5.9 Stars
Flow Rate L/min at 25°C rise	20 L/min	26 L/min
Minimum Operating Flow Rate	2.5 L/min	3.0 L/min
Nominal Gas Consumption	153 MJ/Hr	199 MJ/Hr
Weight (empty)	18kg	21kg
Max. Water Supply Pressure	1000 kPa	1000 kPa
Min Water Supply Pressure	140 kPa	140 kPa
Hot & Cold Water Connection	Rp20 (3/4") Female	Rp20 (3/4") Female
Gas Connection	Rp20 (3/4") Female	Rp20 (3/4") Female
Preset Temperature Options	50°C or 60°C	50°C or 60°C
A - Height mm	520	565
B - Width mm	350	350
C - Depth mm	163	205
D - Height mm	592	647
Watermark licence No.	WMKA21434	WMKA00519
AGA Certificate No.	7306	6004

1. Additional Recess Box available for purchase to recess the continuous flow gas water heater. 2. Please refer powered flue clearance regulations and requirements for your region. 3. Full Warranty conditions available on request from AquaMAX Australia Pty Ltd. Call Toll Free 1800 676 000 or view at www.aquamax.com.au 4. Temperature range may vary according to model purchased. Temperature controllers are not available for solar installation.



AquaMAX Australia Pty Ltd 463-467 Warrigal Road Moorabbin Vic 3189 **Toll Free: 1800 676 000**
 Ph: (03) 9532 2200 Sales Fax: (03) 9532 5244 Service Fax: (03) 9556 5534 A.B.N. 37 138 189 689
 Email: sales@aquamax.com.au For more information visit www.aquamax.com.au

© Copyright 2013 AquaMAX Australia Pty Ltd. Neither whole nor part of this publication may be reproduced without permission
 ® Registered Trademark of AquaMAX Australia Pty Ltd.

Part No. AQ0905041-D